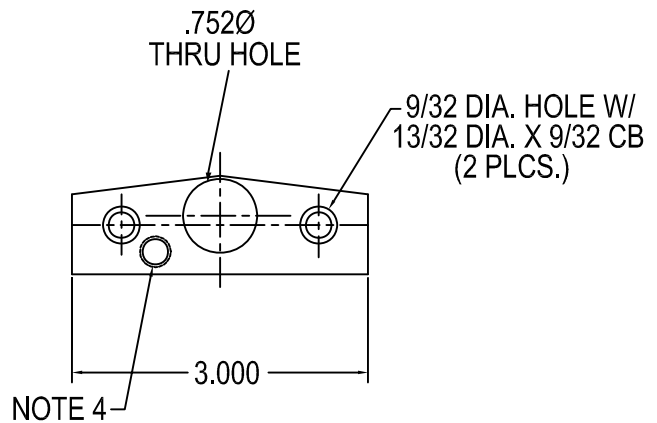
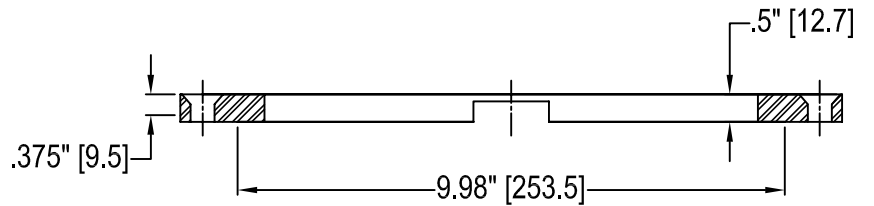
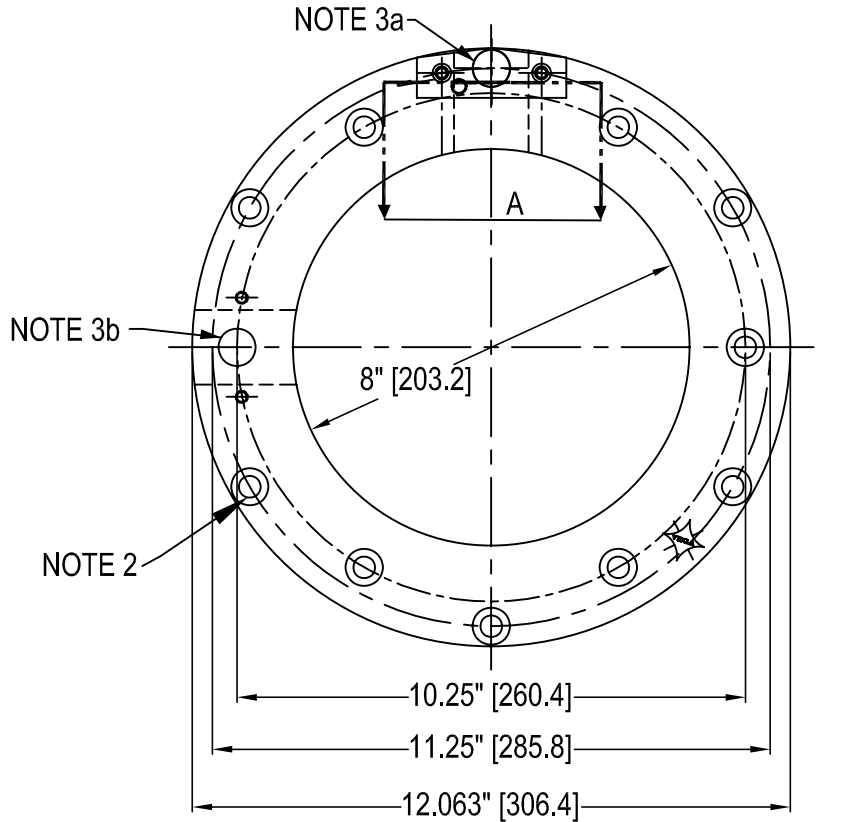


AW7012 KIT

Drill Fixture L-867B / L-868B

1. Drill Plates are zinc plated with O. D. wash
2. (11) 7/16" Ø equally spaced, thru holes with 82° counter sink
- 3a. 11.25" BC, (1) 3/4" Ø hole for Drill & Tap Bushings
- 3b. 10.25" BC, (1) 3/4" Ø hole for Drill & Tap Bushings
4. (1) Bushing Lock Screw (10671000)
5. Fixtures are shipped as a kit with:
 - (1) 5/16" Drill Bushing (10901001)
 - (1) 5/16" H.D. Drill (10901004)
 - (1) 5/32" Drill Bushing (10901002)
 - (1) 5/32" H.D. Drill (10901003)
 - (1) #3 Screw Extractor (10671001)
 - (1) "Z" Drill Bushing (10901000)
 - (1) 3/8"-16 x 6" Extension Tap (10900055)
 - (6) 3/8"-16 x 1" Flat Allen Head Screws (10640059)
 - (1) Poly Case (10907012)



Section View A

[] = dimensions in metrics; mm.