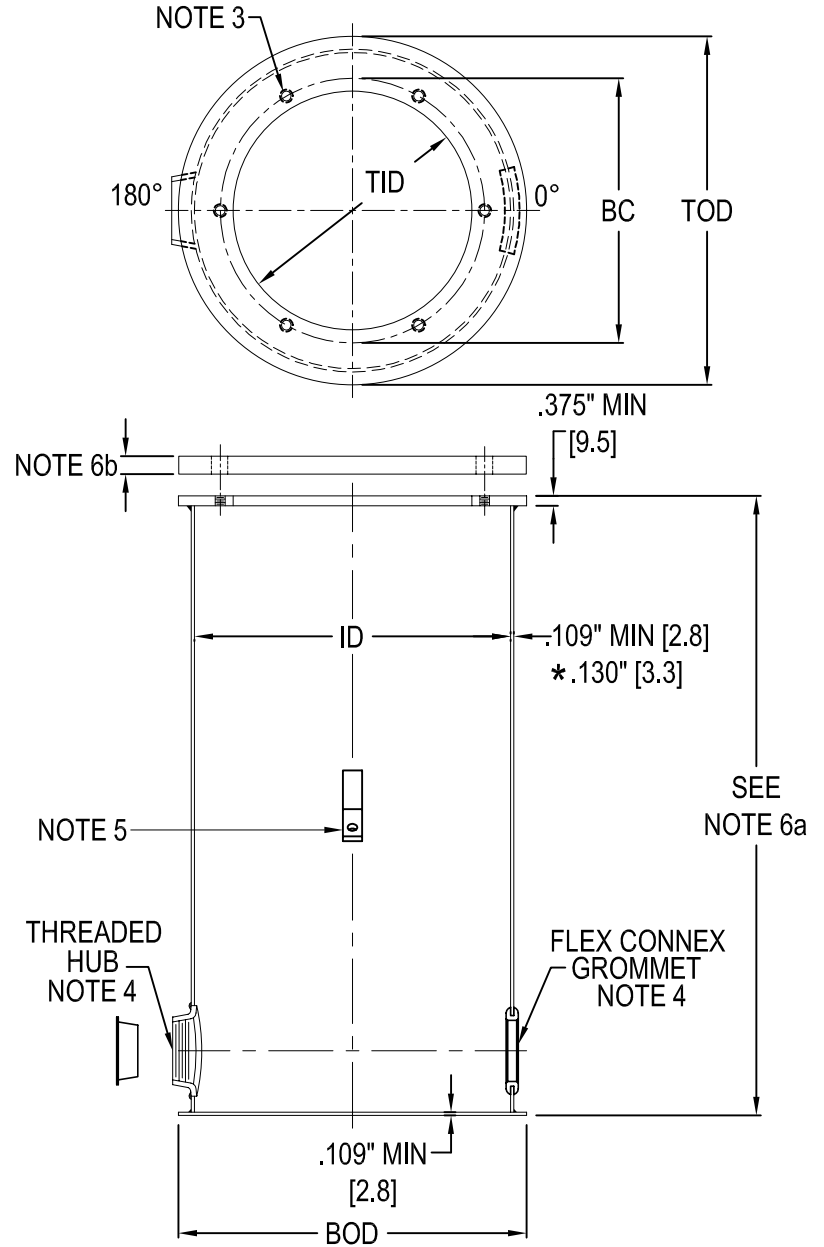


L-867 Class 1A Light Base

# L867 Class 1A Light Base



1. Approved and Certified to FAA Advisory Circular AC150/5345-42F L867 class 1A  
Size: B=12", D=16", E=24"

2. Base galvanized to ASTM-A123 / A123M-02

3. (6) 3/8"-16 equally spaced, tapped holes are located over conduit openings

4. Conduit Openings (minimum 2) are:  
Located 180° apart and 2.5" up from bottom  
Various sizes and locations are available  
Protective plug installed in threaded hubs  
Flex Connex Grommets are shipped separately

5. Internal / External Ground Straps are standard.  
Copper Lug AW0919 available

6a. Standard Stocked Heights:

- AC21242Q200301
- AC21242H200301
- AC63242Q200301
- AC63242H200301

6b. L-867 Plywood Cover 1/2"

7. To designate variations to the base, see ordering worksheet

TYPE	TOD / BOD	ID	BC	TID
<b>AC21</b> _____	13.5"	12.25"	10.25"	9.25"
12" L867B	[342.9]	[311.2]	[260.4]	[235]
<b>AC63</b> _____	17.375"	16.25"	14.25"	12.375"
16" L867D	[441.3]	[412.8]	[362]	[314.3]
<b>AC67</b> _____	24"	22.5"	21.5"	20"
24" L867E	[609.6]	[571.5]	[546.1]	[508]

[ ] = dimensions in metrics; mm